

P45 Series, Pneumatic torque spanners



Pneumatic torque wrenches are widely used for heavy-duty applications that require high accuracy and high efficiency. The precise high-speed gearbox design enables stable and strong continuous torque output. P45NCK products are powered by global leading high-speed motors with high precision and high efficiency, providing reliable and stable output performance for long-term operation. German automatic two-speed gearboxes are standard configurations for high-speed torque wrench series, which ensure high-speed tightening or disassembly.

Product Features:

- Superior power-to-weight ratio, wider torque range, for multiple requirements.
- High precision gearbox, unrivaled reliability with stable output at a constant speed
- Ergonomic manual design, lighter and more portable
- Equal torque output in both forward and reverse directions
- Low noise, non-shock output torque
- Accuracy up to $\pm 5\%$

Configure:

- Standard Reaction Arm
- Retaining Ring
- Air Hose
- Air Pressure and Torque Gauges
- Pneumatic triplex

P45 Series, Pneumatic torque spanners

Matching pneumatic triple parts:

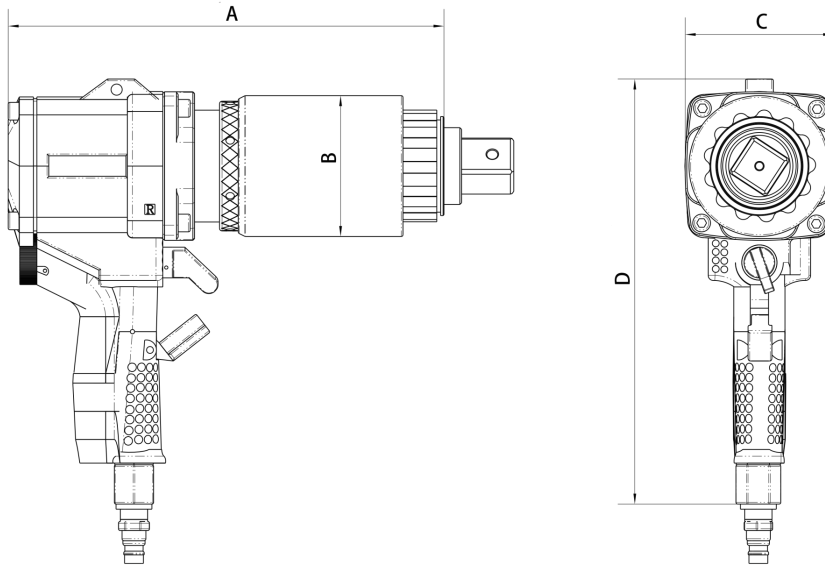
Pressure Regulating Valve
Torque Dpecial Tool
Pressure Display Table

Reinforced portable basket
for easy mobility

Comparison table of torque
and pressure
(on the back of the basket)

Air filter

Aluminium plate carrier,
strong and durable



Model	Drive Size	Torque Range				Speed (Rpm)	Weight (Kg)	Dimension A(mm)	Dimension B(mm)	Dimension C(mm)	Dimension D(mm)	Noise Level
		N.M	Ft.Lbs	N.M	Ft.Lbs							
P45NCK	1"/1.5"	1150	4500	850	3300	7	7.5	285	86	88	249	85db

SOCKET SET 1 " Square Drive
120mm Bore length

